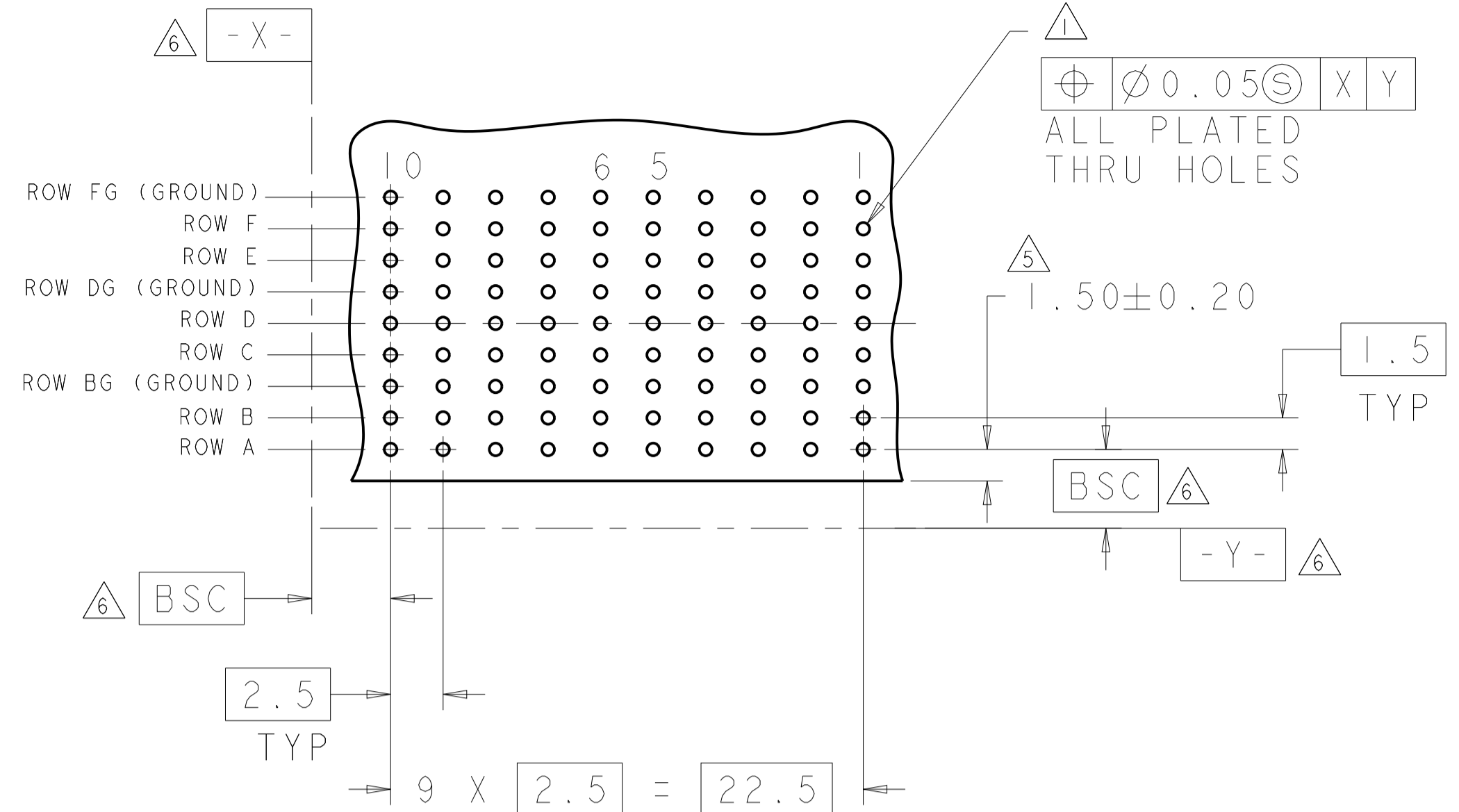
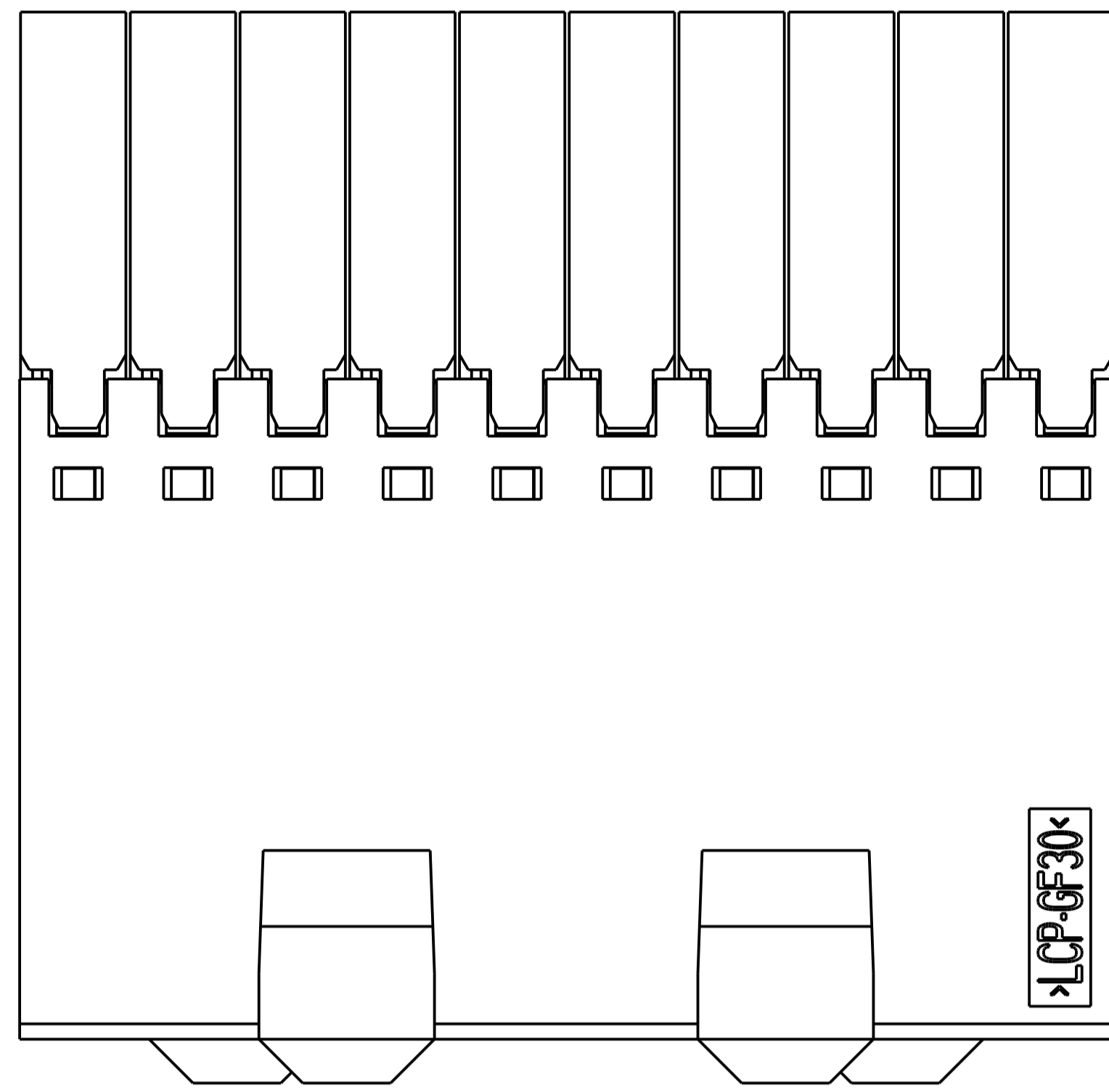
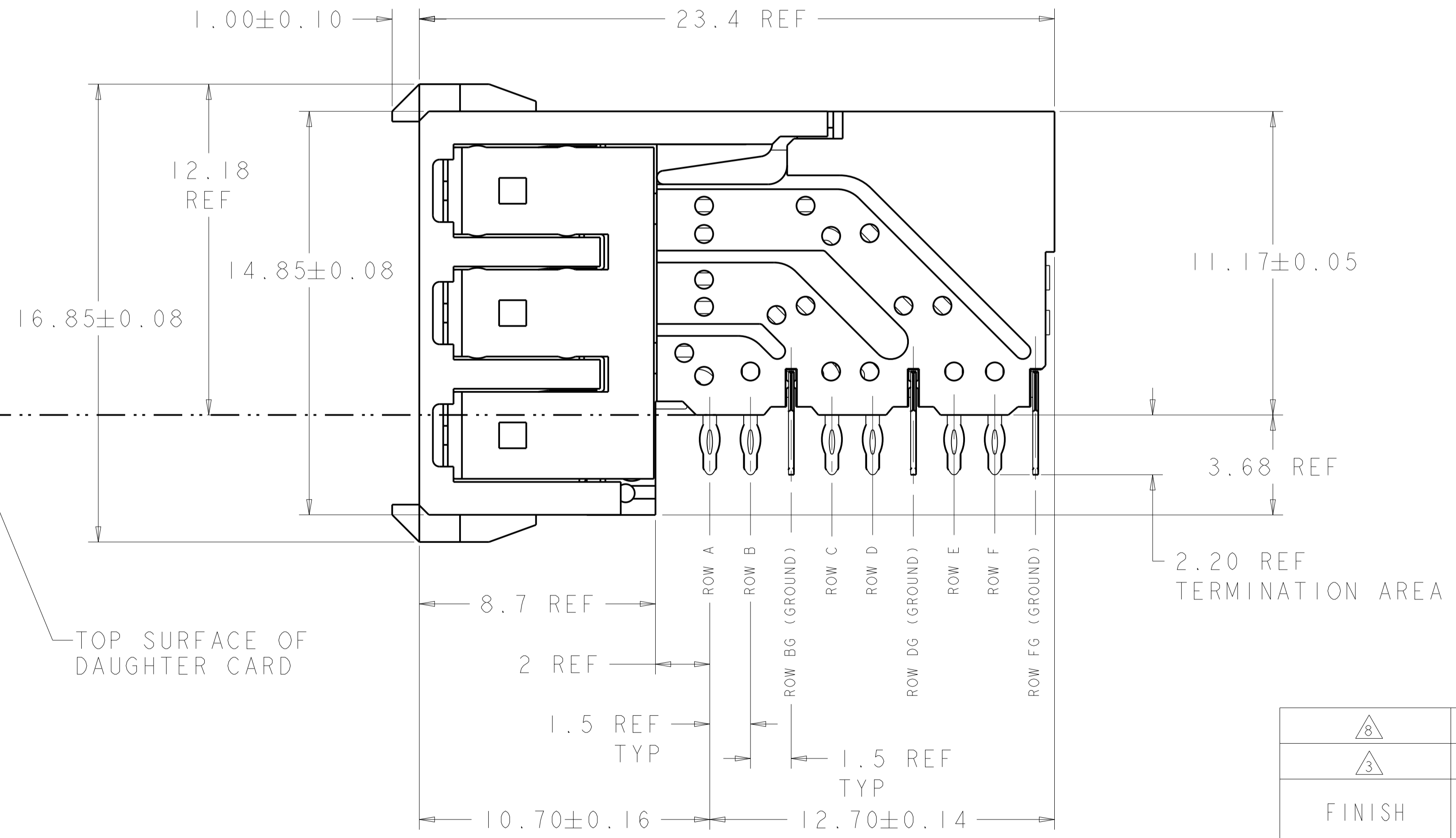
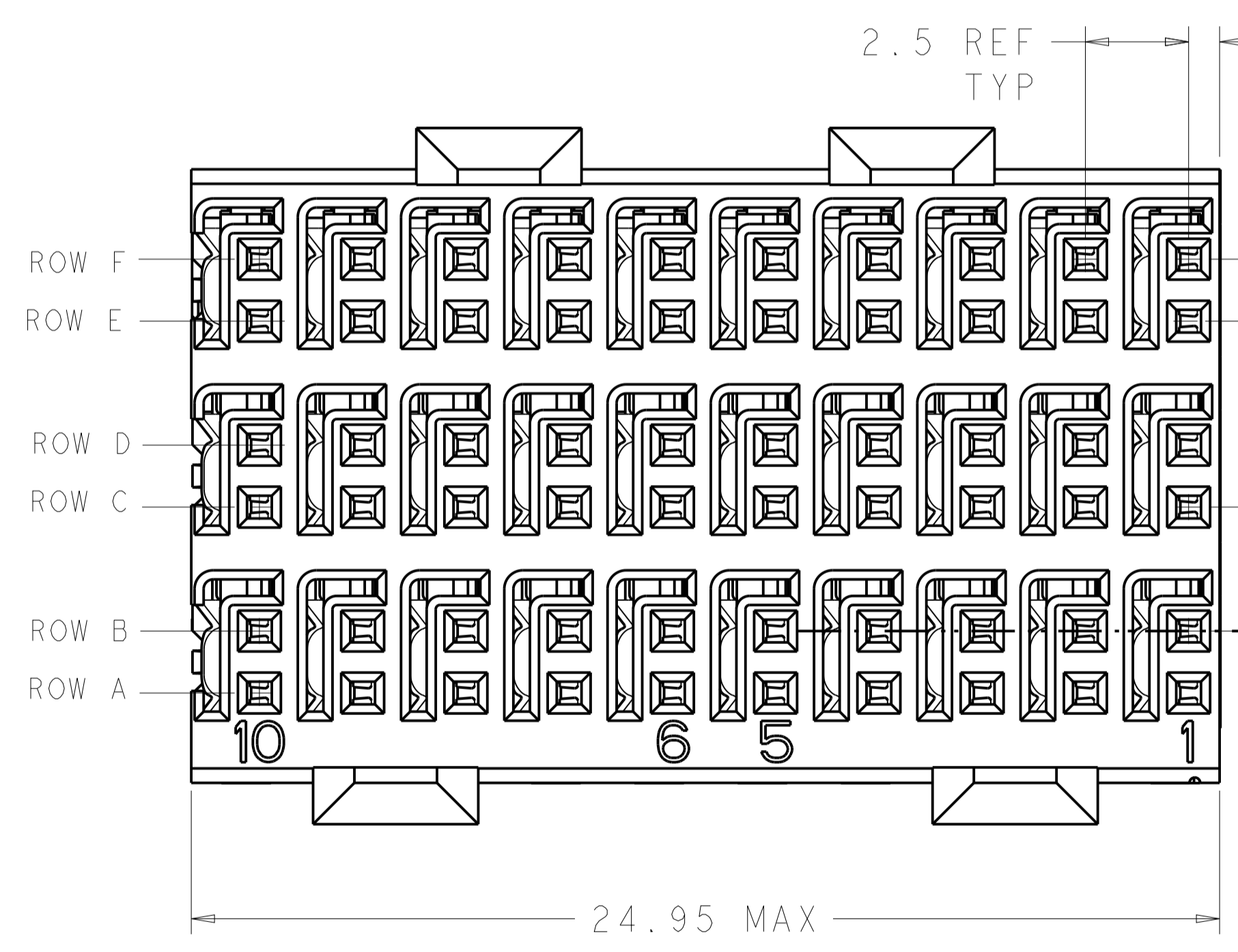


REVISIONS				
REV	DATE	DESCRIPTION	BY	APP'D
D	16APR2014	REVISED PER ECO-14-005095	AP	RP



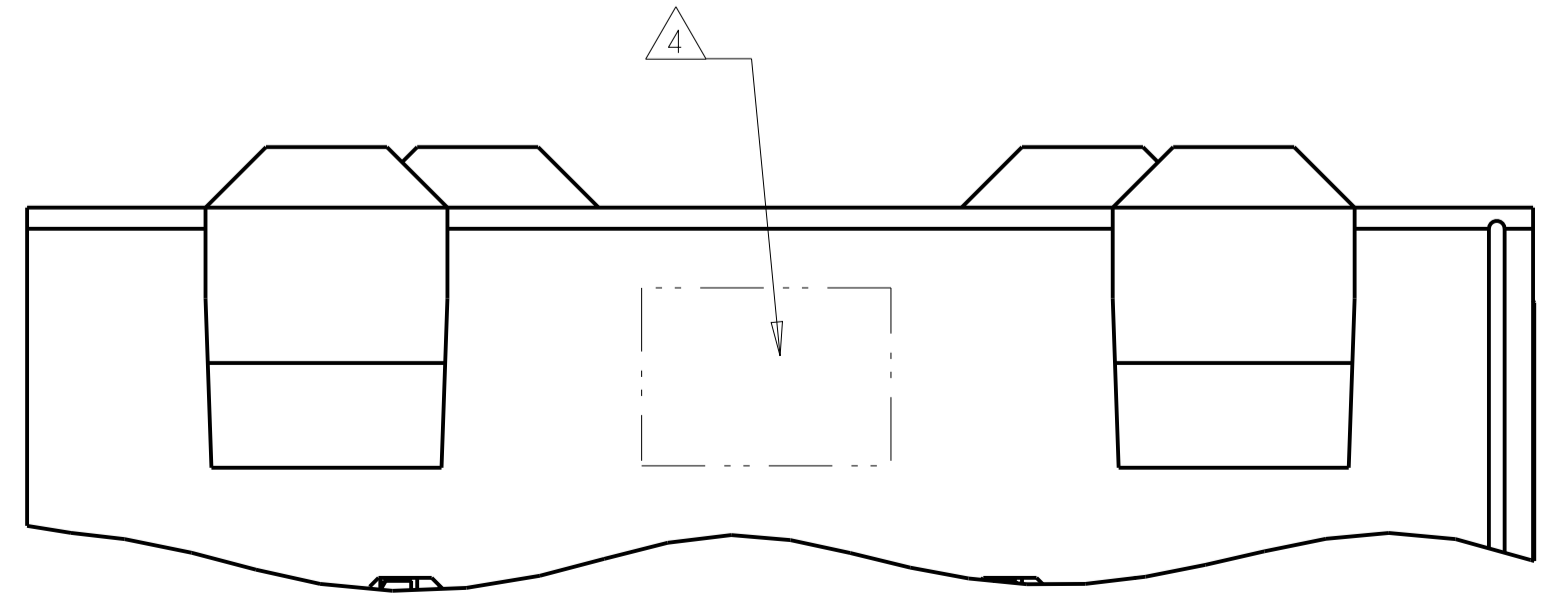
RECOMMENDED PC BOARD LAYOUT,
 DAUGHTER BOARD,
 COMPONENT SIDE SHOWN
 SCALE 4:1

- △ REFERENCE APPLICATION SPEC 114-13059 FOR RECOMMENDED PLATED THRU HOLE DIAMETER AND PLATING THICKNESSES.
- △ MATERIAL:
 SHIELD - PHOSPHOR BRONZE
 CONTACT - COPPER-NICKEL-SILICON
 HOUSING, CHICKLET AND CHICKLET COVER - GLASS FILLED POLYESTER, UL 94V-0 RATED.
- △ FINISH: SIGNAL AND GROUND CONTACTS:
 MATING AREA: MEETS THE PERFORMANCE REQUIREMENTS OF PRODUCT SPECIFICATION 108-2055; BASED ON TELCORDIA GR-1217-CORE, APPLICATIONS IN UNCONTROLLED ENVIRONMENTS
 COMPLIANT PIN AREA: 0.5 μm MIN MATTE TIN OVER BASE PLATING
- △ CONNECTOR MARKED WITH PART NUMBER AND DATE CODE IN APPROXIMATE AREA SHOWN.
- △ DIMENSION APPLIES TO CENTERLINE OF THRU HOLE
- △ DATUMS AND BASIC DIMENSIONS ESTABLISHED BY CUSTOMER
- 7. CONTACT AREA LUBRICATED WITH BELLCORE APPROVED LUBRICANT. TECHNICAL REFERENCE: GR-1217-CORE, ISSUE 1, NOVEMBER 1995.
- △ FINISH: CONTACT AND SHIELD
 MATING AREA - 1.27 μm MIN GOLD OVER 1.27 μm MIN NICKEL
 COMPLIANT PIN AREA - 0.5 μm MIN TIN OVER 1.27 μm MIN NICKEL



TOP SURFACE OF DAUGHTER CARD

△8	6469081-2
△3	6469081-1
FINISH	PART NUMBER



THIS DRAWING IS A CONTROLLED DOCUMENT.		OWN: S. MAGARO 28JUN2004	CHK: R. PATTERSON 28JUN2004	APVD: R. PATTERSON 17MAY2007
DIMENSIONS:	TOLERANCES UNLESS OTHERWISE SPECIFIED:	NAME: RECEPTACLE ASSEMBLY, 3 PAIR, 25mm, HMZd		
mm	0 PLC #+ 1 PLC #+ 2 PLC #+ 3 PLC #+ 4 PLC #+ ANGLES #+*	SIZE: A100779	CAGE CODE: C=6469081	RESTRICTED TO: -
MATERIAL: △2	FINISH: SEE TABLE	WEIGHT: -	CUSTOMER DRAWING	SCALE: 8:1 SHEET 1 OF 1 REV D